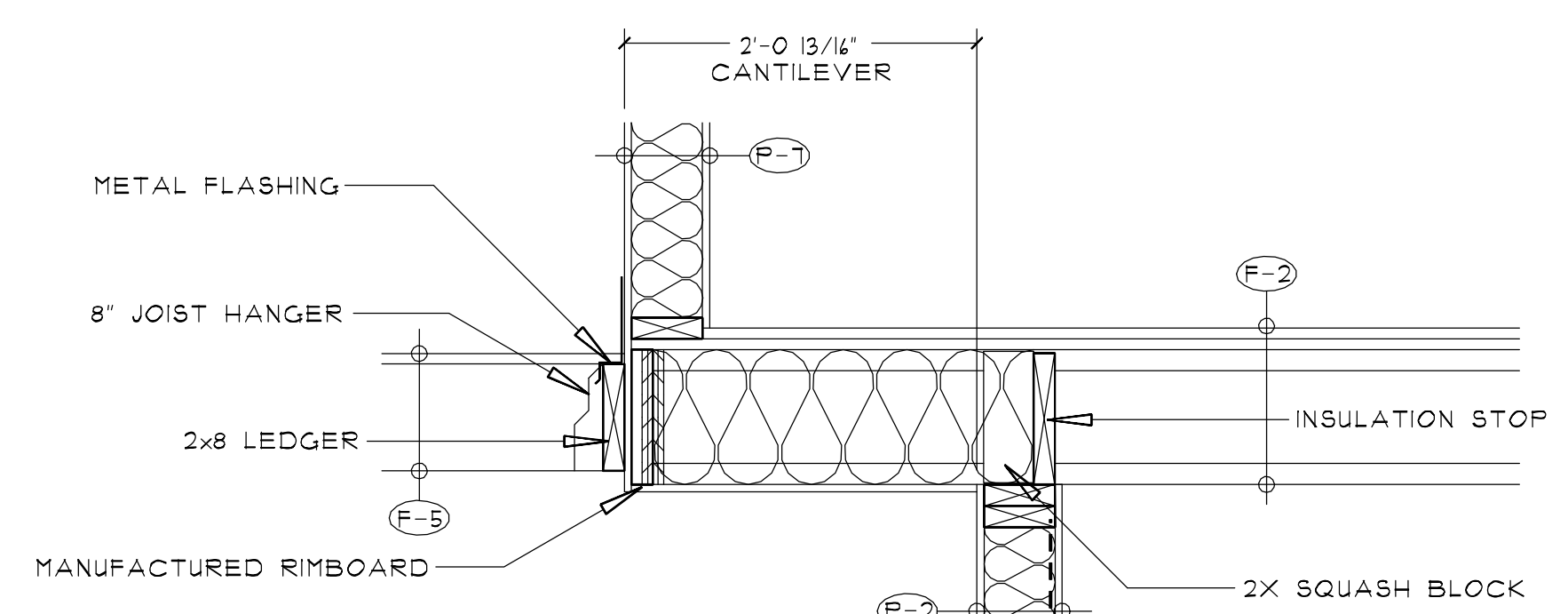
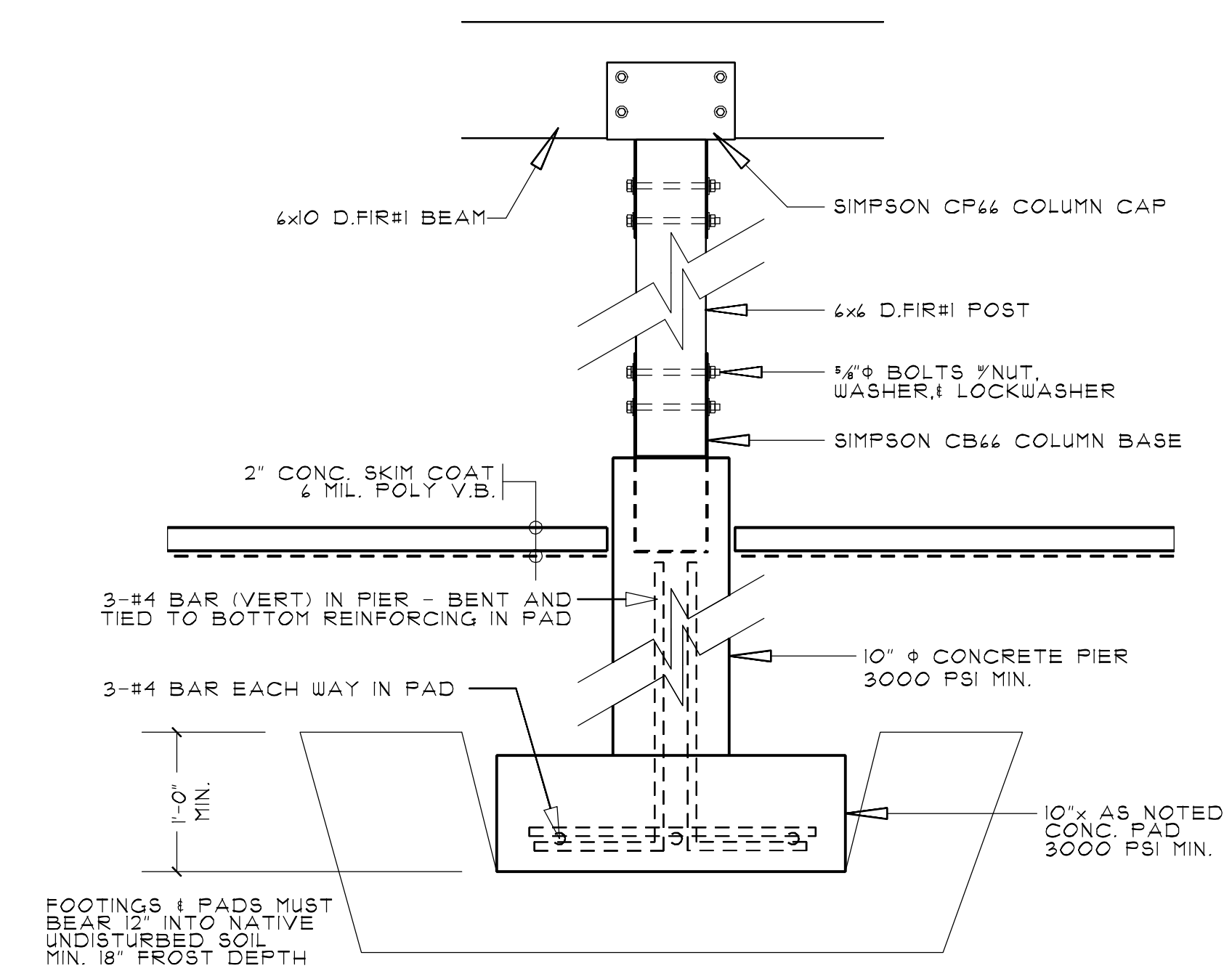


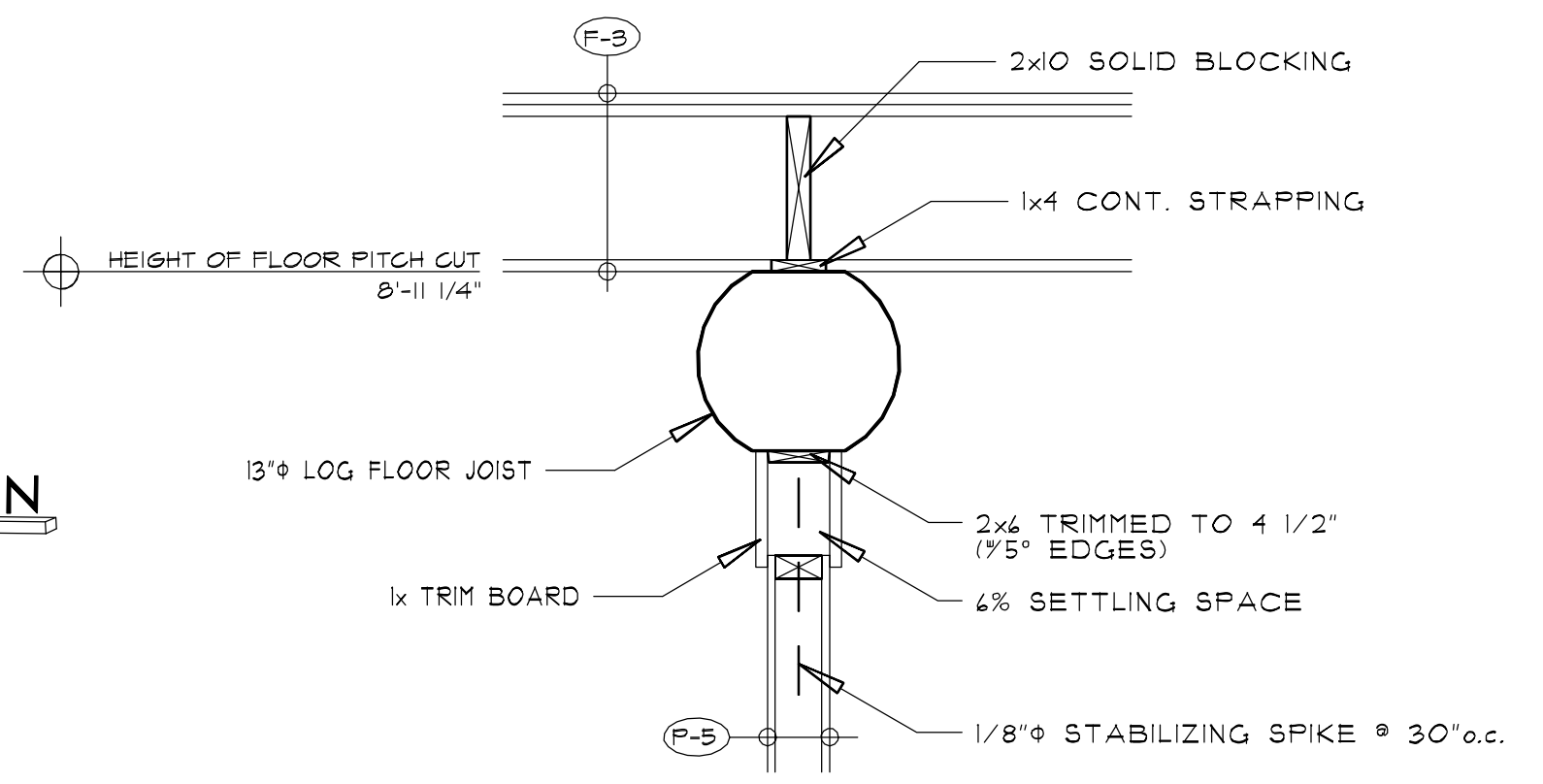
1 MAIN FLOOR PLAN
 A.5 / SCALE: 1/4"=1'-0"



12 WALL/FLOOR DETAIL
 A.5 / SCALE: 1"=1'-0" SEE SECTION 2/A.10



32 TYP. POST & BEAM CONNECTION DETAIL
 A.5 / SCALE: 1"=1'-0" SEE SECTION 3/A.11



H WALL SETTLING DETAIL
 A.5 / SCALE: 1"=1'-0" SEE SECTION 2/A.10

ISSUED FOR PERMIT	
REVISIONS	
1	28 FEB. 2003
2	17 JUNE 2003
3	
4	
5	

The Log Connection
 100-208 Elm St.
 Penikese, BC
 V2A 4L6
 Phone: (250) 770-9031
 Toll Free 1-888-207-0210
 E-mail: logconn@thelogconnection.com
 www.thelogconnection.com

The Log Connection
 Log Home Design Specialist

Blank area for notes or signatures.

MAIN FLOOR
 PAGE TITLE & DETAILS
 SCALE AS NOTED
 DATE NOV. 18 2002
 DRAWN BY ROBERT WOOD

CHECKED BY
 A.5