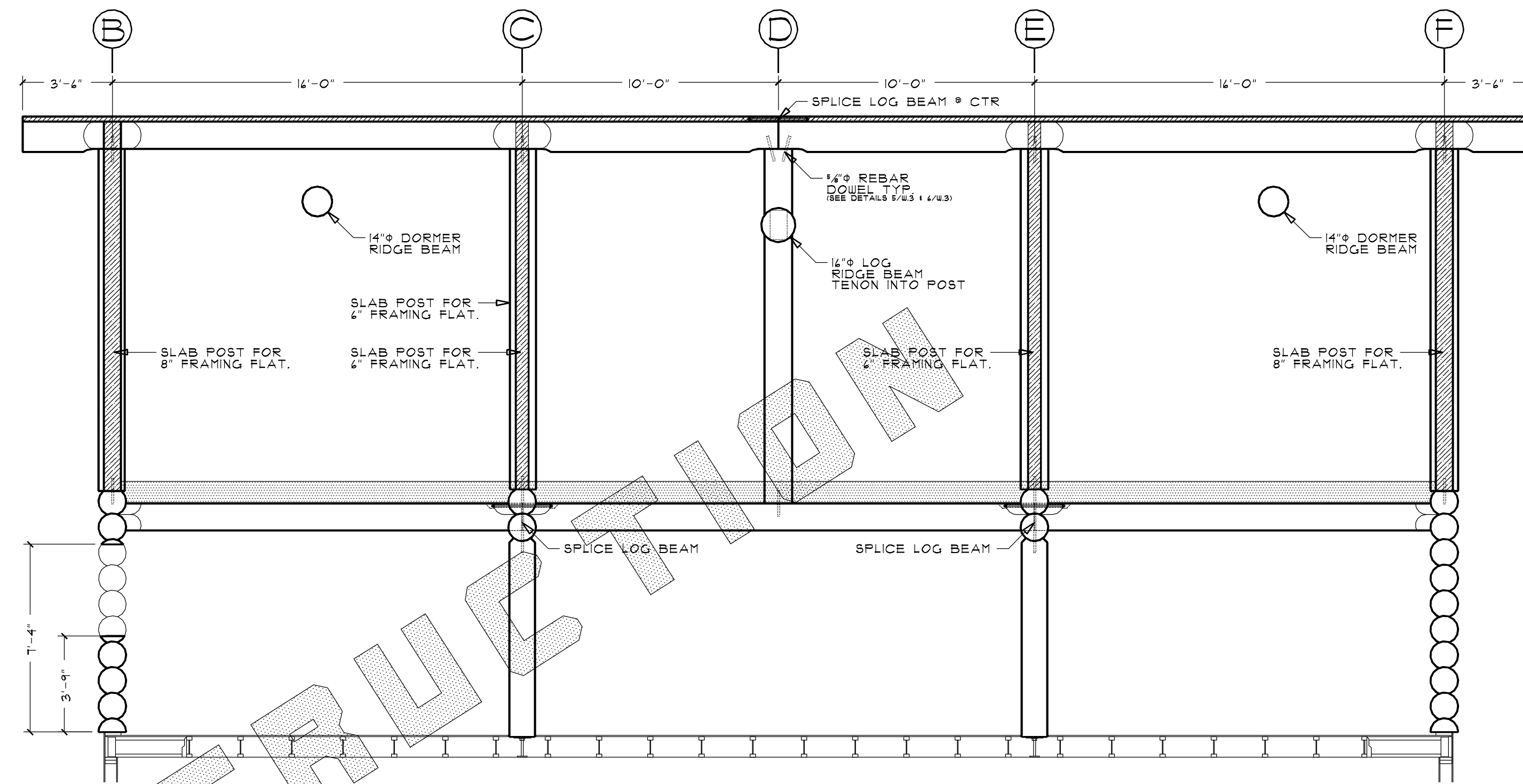
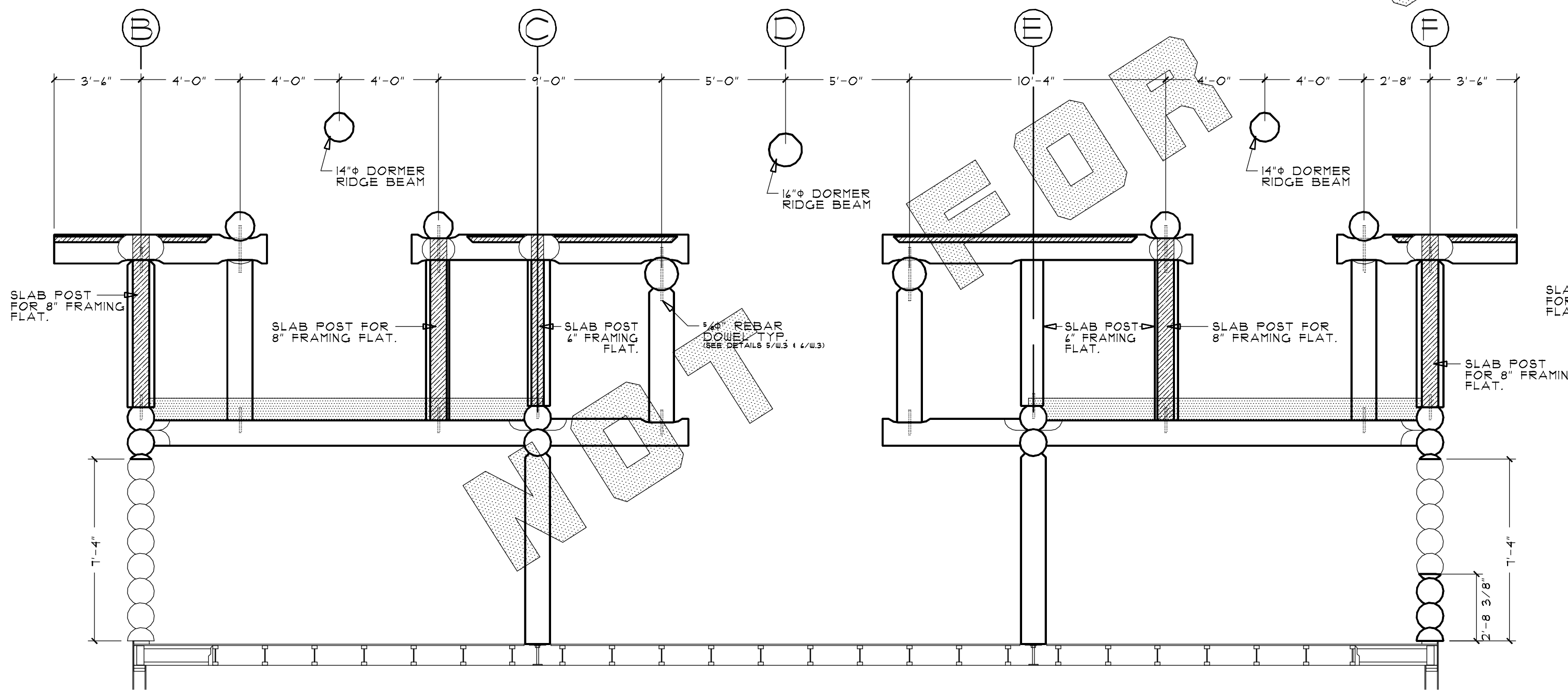


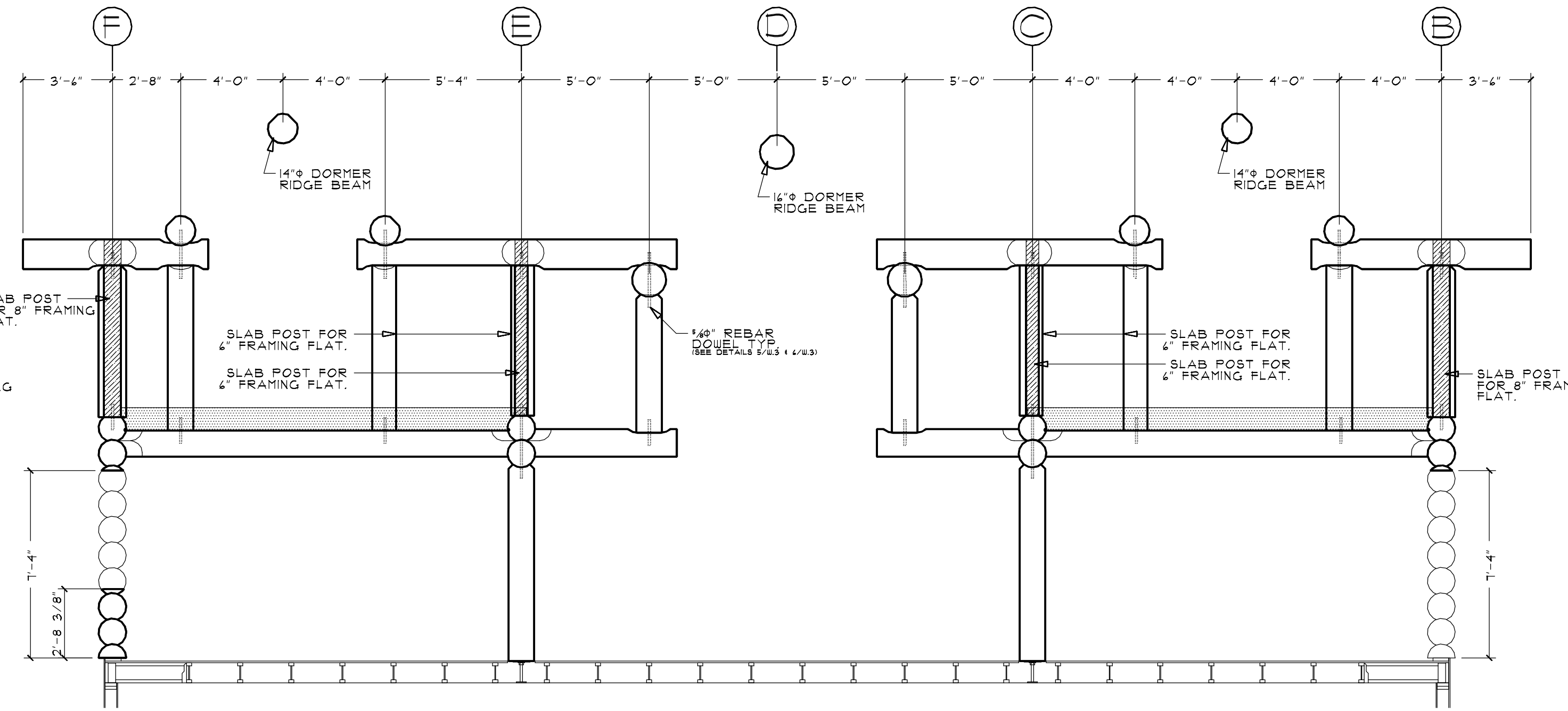
1 GRID 4 FROM 2  
SCALE: 1/4"=1'-0"



2 GRID 4 FROM 5  
SCALE: 1/4"=1'-0"



3 GRID 5 FROM 6  
SCALE: 1/4"=1'-0"

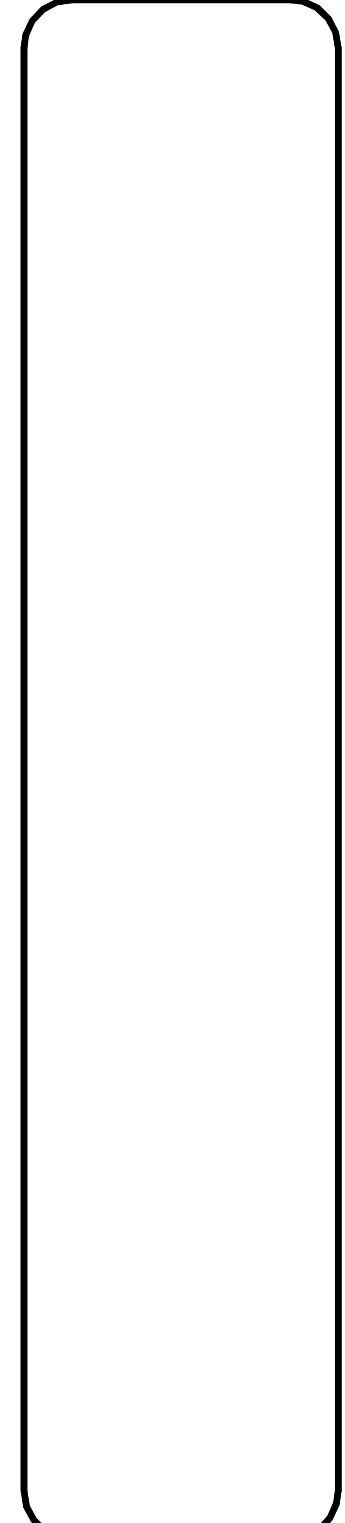


4 GRID 5 FROM 4  
SCALE: 1/4"=1'-0"

ISSUED FOR PERMIT	
REVISIONS	
1	4 MARCH 2003
2	17 JUNE 2003
3	
4	
5	

The Log Connection  
101-208 Ellis St.  
Penticton, BC  
V2A 4L6  
Phone: (250) 770-9031  
Toll Free: 1-888-207-0210  
E-mail: logconnection@logconnection.com  
www.logconnection.com

**The Log Connection**  
Log Home Design Specialist



LOG WALL ELEVATIONS	
PAGE TITLE	
SCALE	1/4" = 1'-0"
DATE	JAN. 9 2003
DRAWN BY	ROBERT WOOD
CHECKED BY	STEVE HANCOCK

W.2